

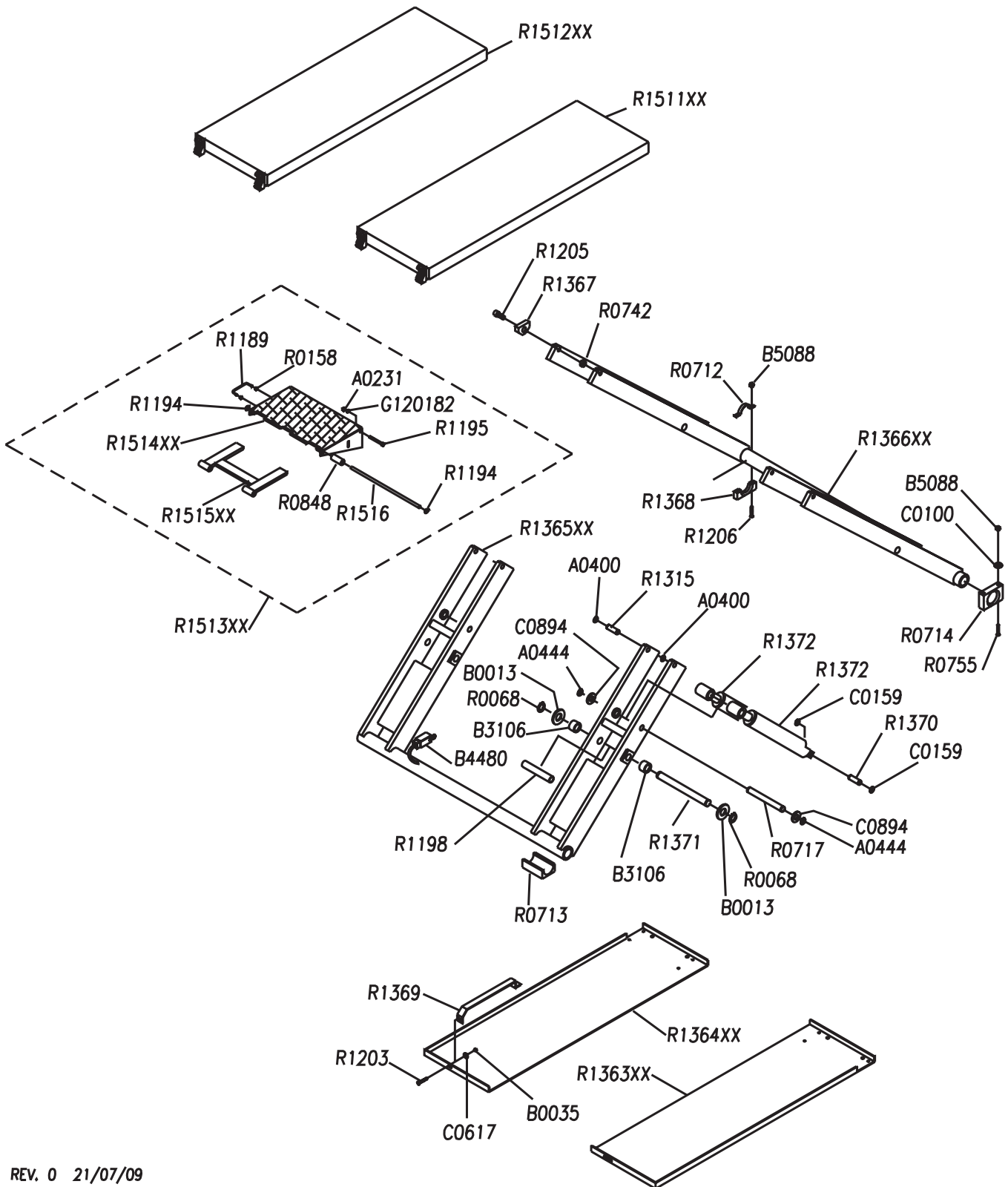
SPRÄNGSKISS AV LYFTEN

EXPLODED VIEW OF THE LIFT

EXPLOSIONSZEICHNUNG HEBEBÜNNE

VUE ÉCLATÉE - ÉLÉVATEUR

DESPIECE ELEVADOR



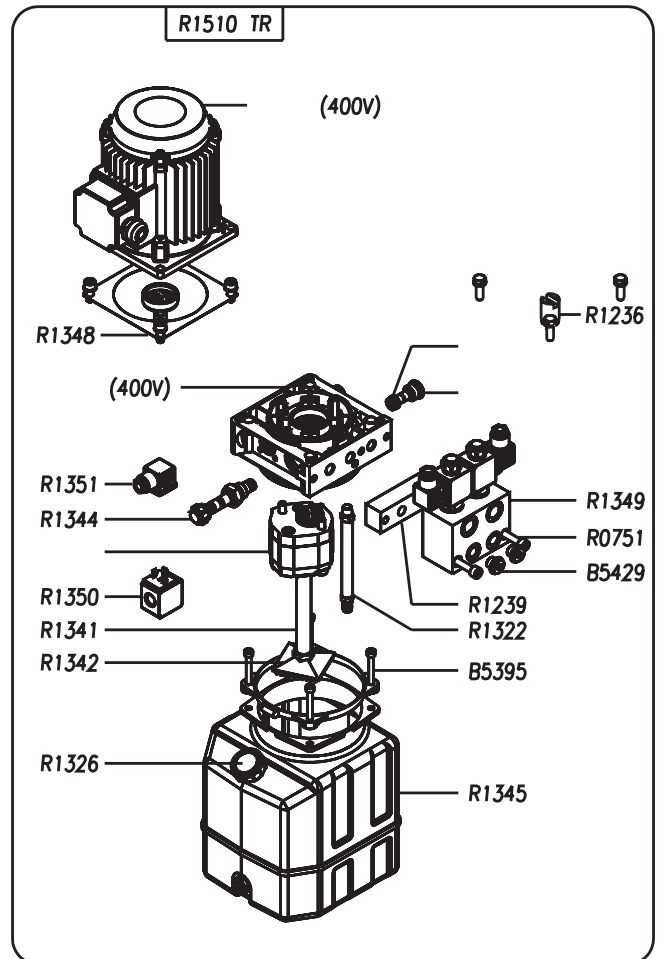
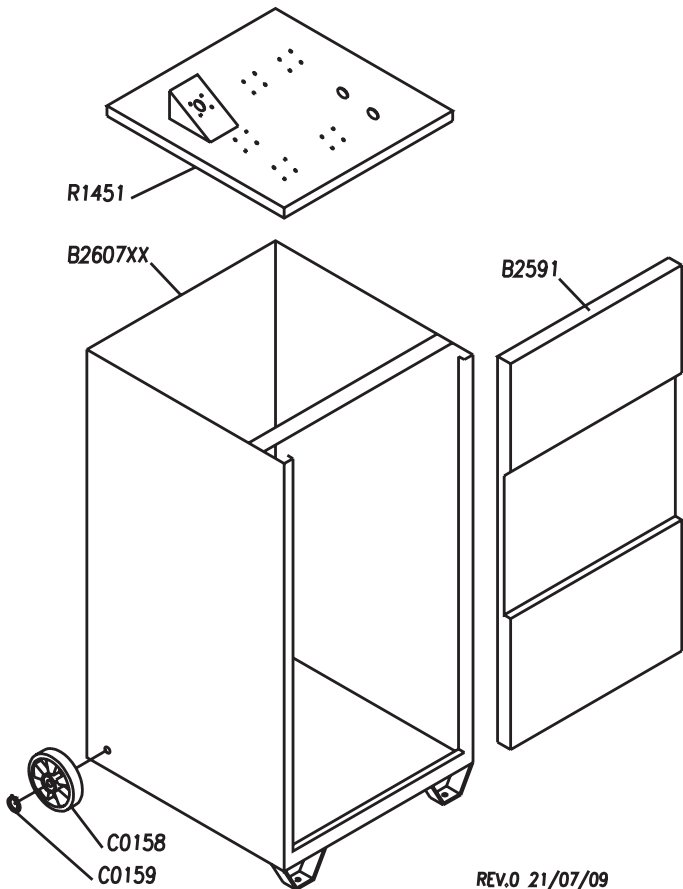
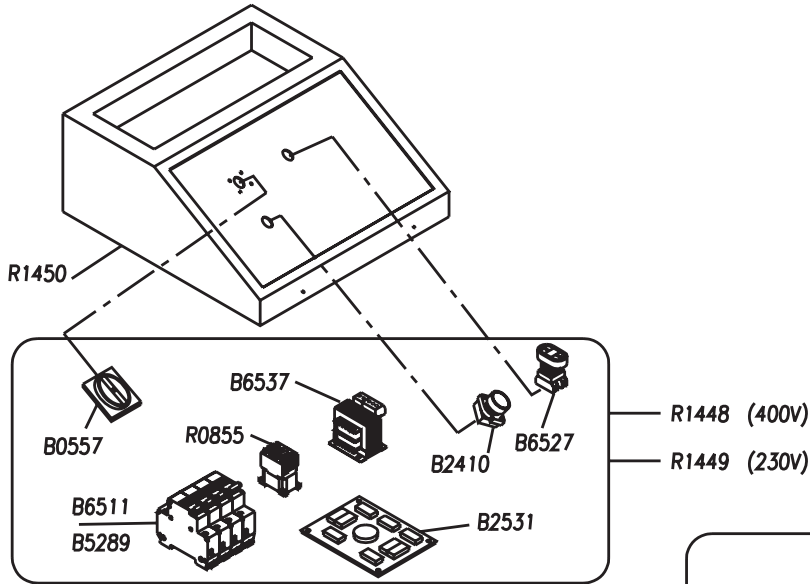
MANÖVERBOXEN

CONTROL UNIT

SCHALTGEHÄUSE

CENTRALE

CENTRALITA HIDRÁULICA



Part Code	Sugg	Descrizione	Description	Beschreibung	Description	Denominacion
A0231		DADO ALTO M10 6S UNI 5587 ZB	NUT M10	MUTTER M10	ECROU HAUT M10 6S UNI 5587 ZB	TUERCA ALTA M10 ZINCADA
A0400		SEEGER E20 UNI 7435	SNAP RING E20 UNI 7435	SEEGER-RING E20 UNI 7435	CIRCLIPS E 20 UNI 7435	SEEGER E20 UNI 7435
A0444		SEEGER E25 UNI 7435	SEEGER E25 UNI 7435	SEEGER E25 UNI 7435	ANNEAU ELASTIQUE ØE 25	ARO ELÁSTICO ØE 25
A4070		RACCORDO "L" GIREVOLE M 1/8X6	ROTATING "L" CONNECTION M 1/8X6	"L"-ANSCHLUSS M 1/8X6	RACCORD EN "L" M 1/8X6	UNIÓN "L" MACHO G 1/8" - TUBO Ø6
B0013		RONDELLA Ø30X60 UNI 6592	WASHER Ø30X60 UNI 6592	UNTERLEGSSCHEIBE Ø30X60 UNI 6592	RONDELLE Ø30X60 UNI 6592	ARANDELA Ø30X60 UNI 6592
B0035		DADO M6 UNI 5587	NUT M6 UNI 5587	MUTTER M6 UNI 5587	ÉCROU M6 UNI 5587	TUERCA ALTA M6 ZINCADA
B0557	*	INTERRUT.3LD1118-OTB53	MASTER SWITCH ASSEMBLY 3LD1118-OTB53	SCHALTER 3LD1118-OTB53	INTERRUPTEUR 3LD1118-OTB53	INTERRUPTOR 3LD1118-OTB53
B2410	*	LAMPADA BIANCA 24V MM25	WHITE LAMP 24V	KONTROLLEUCHE 24V	LAMPE POUR VOYANT LUMINEUX 24V	LAMPARA DE SEÑALIZACION 24V
B2531	*	SCHEDA ELETTRONICA COMBO	ELECTRIC BOARD	ELEKTROKARTE	CARTE ELECTRIQUE	PLACA ELABORADOR
B2591		SPORTELLO ANTERIORE ARMADIO	CABINET FRONT DOOR	VORDERE SCHRANKTÜR	VOLET ANTERIEUR ARMOIRE	PUERTA ANTERIOR ARMARIO
B2607XX		ARMADIETTO	CABINET	SCHRANK	ARMOIRE	CAJÓN
B3106		BOCCOLA AUTOLUBR.30X34X30	SELF-LUBRIFICATING BUSHING Ø30X34X30	SELBSTSCHMIERENDE BUCHSE D 30X34X30	DOUILLE AUTOLUBRIFIANTE Ø30X34X30	CASQUILLO AUTOLUBRIC. DIAM. 30X34X30
B4480	*	MICROINTERRUTTORE S/C.FF4631-7SN	MICRO SWITCH	MIKROSCHALTER	MICROINTERRUPTEUR	MICROINTERRUPTOR
B5053	*	VITE FORATA 1/4	SCREW 1/4	SCHRAUBE 1/4"	BOUCHON RENIFLARD 1/4"	TORNILLO CON ORIFICIO 1/4"
B5088		DADO BLOK M8 UNI 7474	NUT M8 UNI 7474	MUTTER BLOCK. M8 UNI 7474	ECROU FREIN M8 UNI 7474	TUERCA-AUTOBLOCANTE M8 UNI 7474
B5289	*	FUSIBILE 10X38 1A AM	FUSE 10X38 1A AM	SCHMELZSICHERUNG 10X38 1A AM	FUSIBLE 10X38 1A AM	FUSIBILE 10X38 1A AM
B5395		KIT FISSAGGIO SERBATOI IN PVC	TANK FASTENING KIT	TANK-BEFESTIGUNGSSET	ENSEMBLE FIXATIONS RESERVOIR	JUEGO SUJECION DEPOSITO
B5429		TAPPO DIN 908 1/4+RONDELLA RAME	PLUG	DECKEL	BOUCHON	TAPÓN
B6511		PORTAFUSIBILE 10X38 WIMEX PCH1	FUSE HOUSING 10X38 WIMEX PCH1ØX38	SCHMELZSICHERUNGHALTER	PORTE-FUSIBLE 10X38 WIMEX PCH 10X38	PORTAFUSIBILES 10X38 WIMEX PCH1
B6527	*	PULSANTE DOPPIO+ELEMENTO DI CONTATTO	TWIN PUSH BUTTON WITH CONTACT	DOPPLER KNOF+KONTAKTGEBER TYP ERSCE 50052+52080	POUSSOIR DOUBLE ERSCE 50052+52080	PULSADOR DOBLE CON CONTACTO TIPO ERSCE 50052+52080
B6537	*	TRASFORMATORE 0-220-380 0-24V 50VA +/-10%	TRANSFORMER 0-230-400 0-24V 50VA	TRANSFORMATOR 0-220-380 0-24V 50VA +/-10%	TRANSFORMATEUR 0-220-380 0-24V 50VA +/-10%	TRANSFORMADOR 0-220-380 0-24V 50VA +/-10%
C0051		TUBO RILSAN Ø4/6	RYLSAN HOSEØ4/6	SCHLAUCH 6X4	TUYAU RILSAN D.6X4	TUBO RILSAN Ø6X4
C0100		RONDELLA Ø8,4X17 UNI 6592	WASHER Ø8,4X17 UNI 6592	SCHIBE Ø8,4X17 UNI 6592	RONDELLE Ø8,4X17 UNI 6592	ARANDELA Ø8 ZINCADA
C0158		RUOTA GOMMATA D 125 FORO 15	RUBBER WHEEL D 125 HOLE 15	GUMMI RAD D 125; BOHRUNG 15	ROUE CAOUTCHOUC D125 TROU 15	RUEDA DE GOMA D 125 AGUJERO 15
C0159		ANELLO SEEGER E15 UNI 7435	SEEGER E15 UNI 7435	SEEGER-RING E15 UNI 7435	BAGUE EXTERIEUR Ø15	ARO ELÁSTICO ØE 15 UNI 7435
C0617		RONDELLA Ø6,4X12,5 UNI 6592	WASHER Ø6,4X12,5 UNI 6592	SCHIBE Ø6,4X12,5 UNI 6592	RONDELLE Ø6,4X12,5 UNI 6592	ARANDELA Ø6,4X12,5 UNI6592
C0630		RONDELLA IN RAME Ø14X20	COPPER WASHER Ø14X20	MUTTER M10 UNI 5588	ECROU M10 UNI 5588	TUERCA
C0894		RONDELLA P 25X44 UNI 6592 ZB	WASHER P 25X44 UNI 6592 ZB	SCHIBE 25X44 UNI 6592 ZB	RONDELLE P 25X44 UNI 6592 ZB	ARANDELA P 25X44 UNI 6592 ZB
G120182		RONDELLA GROVER D 10 GAMMA	WASHER D10	SCHIBE D10	RONDELLE D10	ARANDELA D10
R0068		SEEGER E30 UNI 7435	SNAP RING E30 UNI 7435	SEEGER E30 UNI 7435	ANNEAU DE FIXAGE E30 UNI 7435	SEEGER E30 UNI 7435
R0158		DADO MEDIO M 8 6S UNI 5588 ZB	NUT M8	MUTTER M8	ECROU M8	TUERCA M8 UNI 5588

R0712	*	SUPPORTO SUPERIORE BRACCIO CERNIERA	ARM HINGE UPPER SUPPORT	HALTER OBERE UNTERSTUETZUNG	SUPPORT SUPERIEUR BRAS CHARNIERE	SOPORTE SUPERIOR BRAZO CREAMALLERA
R0713	*	PATTINO INFERIORE BRACCIO CERNIERA	HINGE ARM LOWER SLIDE PAD	AUFHAENGUNG UNTERER GLEITER	PATIN INFERIEUR BRAS CHARNIERE	PATIN INFERIOR BRAZO CREAMALLERA
R0714	*	SUPPORTO COMPLETO BRACCIO CERNIERA	HINGE ARM COMPLETE SUPPORT	LAGERBOCK UNTERER TRAVERSE	SUPPORT COMPLET BRAS CHARNIERE	SOPORTE COMPLETO BRAZO CREAMALLERA
R0717		PERNO ATTACCO CILINDRO	CYLINDER ATTACHMENT PIN	ZYLINDER HALTEBOLZEN	AXE FIXATION VERIN	PERNO CONEXION CILINDRO
R0742		DADO ALTO M16	HIGH NUT M16	MUTTER M16	ECROU HAUT M16	TUERCA ALTA M16
R0751		VITE TCEI 90° M8X80	SCREW TCEI 90° M8X80	SCHRAUBE TCEI 90° M8X80	VIS TCEI 90° M8X80	TORNILLO TCEI 90° M8X80
R0755		VITE TCEI 90° M8X90	SCREW TCEI 90° M8X90	SCHRAUBE TCEI 90° M8X80	VIS TCEI 90° M8X90	TORNILLO TCEI 90° M8X90
R0763		RACCORDO RAPIDO "Y" D6	QUICK "Y" CONNECTION D6	FITTING "Y" D6	RACCORD EN "Y" D6	CONEXION "Y" D6
R0821		VITE FORATA DOPPIA 1/4	HOLED SCREW	SCHRAUBE	BOUCHON RENIFLARD	TORNILLO CON ORIFICIO
R0848		RULLO RAMPA BASCULANTE	BALANCE RAMP ROLLER	FFUEHRUNGSBUCHSE	ROULEAU RAMPE BASCULANTE	RODILLO RAMPA BASCULANTE
R0855	*	TELERUTTORE AEG 4KW 24AC	CONTACTOR AEG 4KW 24AC	FERNSCHALTER AEG 4KW 24AC	TÉLÉRUPTEUR AEG 4KW 24AC	CONTACTO AEG 4KW 24AC
R1189		MANIGLIA RAMPA	HANDLE	HANDGRIFF	POIGNEE	ASA
R1194		SEEGER E11 UNI 7435	SEEGER RING E11 UNI 7435	SEEGER E11 UNI 7435	BAGUE E11 UNI 7435	SEEGER E11 UNI 7435
R1195		VITE TE M10X100 PF UNI 5737 ZB	SCREW TE M10X100 PF UNI 5737 ZB	SECHSKANTSCHRAUBE M10X100 PF UNI 5737 ZB	VIS TH M10X100 PF UNI 5737 ZB	TORNILLO M10X100 PF UNI 5737 ZB
R1198		DISTANZIALE INTERNO LEVE	LEVER SPACER	DISTANZSTUECK	ENTRETOISE BRAS DE LEVAGE	DISTANCIADOR
R1203		VITE TSCE900M6X16 UNI 5933 ZB	SCREW TSPEI M6X160 UNI5933	SECHSSCHRAUBE MIT INNENSECHSKANT M6X16 UNI 5933	VIS STHC M6X16 UNI 5933	TORNILLO TSPEI M6X16
R1205		VITE TCCE M16X55 UNI5931	SCREW TCCE M16X55 UNI 5931	SCHRAUBE TCCE M16X55 UNI 5931	VIS TCCE M16X55 UNI 5931	TORNILLO TCCE M16X55 UNI 5931
R1206		VITE TSCE900M8X60 UNI 5933 ZB	SCREW TSPEI M8X60 UNI5933	SECHSSCHRAUBE MIT INNENSECHSKANT M8X60 UNI 5933	VIS STHC M8X60 UNI 5933	TORNILLO TSPEI M8X60
R1236		GIUNTO TRASC.POMPA CEN.262	CONNECTING PUMP	GELENK PUMPE	ACCOUPLLEMENT DE POMPE	ACOPLAMIENTO BOMBA
R1239		BLOCCETTO DISTANZ.CEN.262	BLOCK	BLOCK	CORPS	BLOQUE
R1312		CILINDRO IDRAULICO	HYDRAULIC CYLINDER	HYDRAULIKZYLINDER	VÉRIN HYDRAULIQUE	CILINDRO IDRAULICA
R1315		PERNO ATTACCO BRACCIO	ARM ATTACHMENT PIN	HALTEBOLZEN	AXE FIXATION BRAS	PERNO CONEXION BRAZO
R1322		VITE TCCE M8X105 UNI 5931 ZB	SCREW TCCE M8X105 UNI 5931 ZB	SCHRAUBE TCCE M8X105 UNI 5931 ZB	VIS TCCE M8X105 UNI 5931 ZB	TORNILLO TCCE M8X105 UNI 5931 ZB
R1326		TAPPO SERBATOIO	TANK PLUG	TANKVERSCHLUß	BOUCHON DE RÉSERVOIR	TAPON DEPOSITO
R1330		TUBO 3/16 1/4FDGIR-1/4OR(1)	HOSE 3/16	SCHLAUCH 3/16	TUYAU 3/16	TUBO 3/16
R1331		TUBO 3/16 1/4FDGIR-1/4OR(2)	HOSE 3/16	SCHLAUCH 3/16	TUYAU 3/16	TUBO 3/16
R1332		TUBO 3/16 1/4FDGIR-1/4OR(3)	HOSE 3/16	SCHLAUCH 3/16	TUYAU 3/16	TUBO 3/16
R1333		TUBO 3/16 1/4FDGIR-1/4OR(4)	HOSE 3/16	SCHLAUCH 3/16	TUYAU 3/16	TUBO 3/16
R1341		TUBO ASPIRAZIONE CENTRALINA	SUCTION PIPE	ANSAUGROHR	TUBE ASPIRATION	TUBO ASPIRACION
R1342	*	FILTRO ASPIR.3/8" CENTRALINA	AIR FILTER	ANSAUGFILTER	FILTRE ASPIRATION	FILTRO DE ASPIRACION
R1344	*	ELETTROVALVOLA NC-EM	ELECTRO-VALVE	ELEKTROVENTIL	ELECTROVANNE	ELECTROVALVULA
R1345		SERBATOIO PVC 5L CENTRALINA	OIL TANK 5L.	ÖLBEHÄLTER LT5	RESERVOIR HUILE LT5	DEPÓSITO ACEITE 5 L.
R1348		TRASCINAMENTO POMPA CENTRALINA	CONNECTING PUMP	GELENK PUMPE	ACCOUPLLEMENT DE POMPE	ACOPLAMIENTO BOMBA
R1349		BLOCCETTO ELECTRO VALVOLA	ELECTROVALVE BLOCK	BLOCK ELEKTROVENTIL	BLOC ÉLECTROVANNES	BLOQUE DE ELECTROVALVULAS

R1350	SOLENOIDE 24VCA 50HZ 18W	SOLENOID	SOLENOID	SOLENOÏDE	SOLENOÏDE	SOLENOÏDE
R1351	CONNETTORE TRASP.LED 24VDC	CONNECTOR FOR SOLENOID VALVE 24VDC	ANSCHLUSS FUER MAGNETVENTIL 24VDC	CONNECTEUR POUR ELECTROVANNE24VDC	CONNECTEUR POUR ELECTROVANNE24VDC	CONECTOR+RECTIFICADOR 24VDC
R1363XX	BASE 263/07 DX	BASE	GRUNDLAGE	CHÂSSIS	CHÂSSIS	BASE
R1364XX	BASE 263/07 SX	BASE	GRUNDLAGE	CHÂSSIS	CHÂSSIS	BASE
R1365XX	LEVA INTERNA 263/07	INSIDE LEVER	HEBEL	LEVIER INTERNE	LEVIER INTERNE	PALANCA
R1366XX	LEVA INTERNA CIL.263/07	INSIDE LEVER	HEBEL	LEVIER INTERNE	LEVIER INTERNE	PALANCA
R1367	PATTINO SUP.263/07	UPPER SLIDE PAD	OBERER GLEITER	PATIN SUPERIEUR	PATIN SUPERIEUR	PATÍN SUPERIOR
R1368	SUPPOR.INF.LEVA CILIND.263/07	SUPPORT	HALTER	SUPPORT	SUPPORT	SOPORTE
R1369	STAFFA ANTIRIBALTAM.263/07 ZG	ANCHORAGE	BÜGEL	CHAPE	CHAPE	BRIDA
R1370	PERNO ATTAC.CIL.263/07 ZG	PIN	STIFT	AXE	AXE	PERNO
R1371	PERNO SNODO LEVE 263/07 ZG	UPPER ARM HINGE PIN	STIFT	AXE ARTICULATION LEVIER	AXE ARTICULATION LEVIER	PERNO
R1372	CILINDRO IDR.263/07 9005	CYLINDER	ZYLINDER	VÉRIN	VÉRIN	CILINDRO
R1448	QUADROIT 400/50.263 2008	ELECTRIC BOX	KASTEN DREHSTROM	COFFRET ÉLECTRIQUE	COFFRET ÉLECTRIQUE	CUADRO ELÉCTRICO
R1449	QUADRO/IM 230/50-60 263 2008	ELECTRIC BOX	KASTEN EINPHASE	COFFRET ÉLECTRIQUE	COFFRET ÉLECTRIQUE	CUADRO ELÉCTRICO
R1450	PLANCIA COMANDO	CONTROL PANEL	INSTRUMENTENTAFEL	PANNEAU FRONTAL	PANNEAU FRONTAL	TABLERO DE MANDOS
R1451	SUPPORTO COMPONENTI ELETTRICI 263	SUPPORT ELECTRICAL COMPONENTS	UNTERSTÜTZUNG ELEKTRISCHEN KOMPONENTEN	SOUTIEN COMPOSANTS ÉLECTRIQUES	SOUTIEN COMPOSANTS ÉLECTRIQUES	APOYO COMPONENTES ELÉCTRICOS
R1510	CENTR.400/50T 263HS 2,5CC 7LT					
R1511XX	PEDANA SUP.263HS DX					
R1512XX	PEDANA SUP.263HS SX					
R1513XX	KIT RAMPA BASCULA.263HS					
R1514XX	RAMPA BASCULANTE 263HS					
R1515XX	PUNTO X RAMPA 263HS					
R1516	PERNO X RAMPA ZB	PIN	STIFT	AXE	AXE	PERNO
Z_RICAMBI	* = RICAMBI CONSIGLIATI	* = RECOMMENDED SPARE PARTS	* = EMPFOHLENE E-TEILE	* = PIECES DE RECHANGE CONSEILLEES	* = PIECES DE RECHANGE CONSEILLEES	* = REPUESTOS ACONSEJADOS